

## RV External louvre

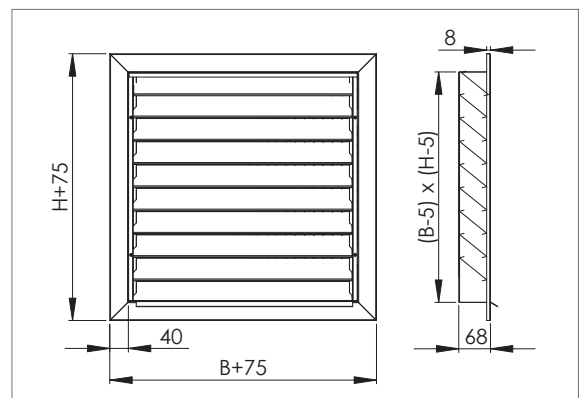
RV is an external louvre designed to protect fresh air and extract air openings of ventilation systems. RV provides effective protection against water penetration with low pressure loss. Resistance to water penetration tested according to EUROVENT 2/5 standard.

### Application

Suitable for supply and exhaust air.

Good resistance to water penetration and low pressure loss make it especially well suited for fresh air openings. The grille is manufactured of galvanized steel and powder coated.

Can also be manufactured of other materials, e.g. aluminium, copper, stainless steel or acid-proof steel.



### Structure and dimensions

The grille consists of three structural parts:

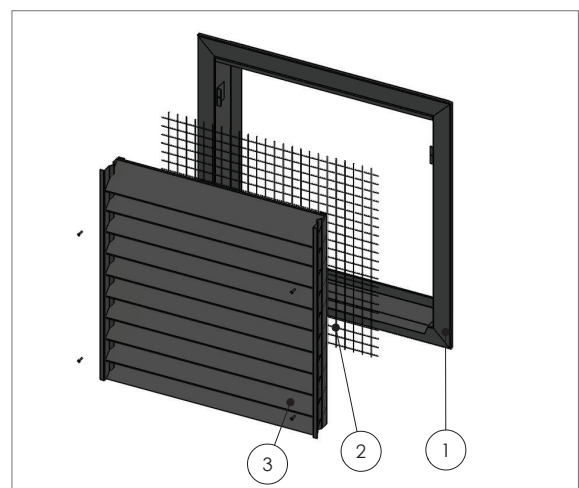
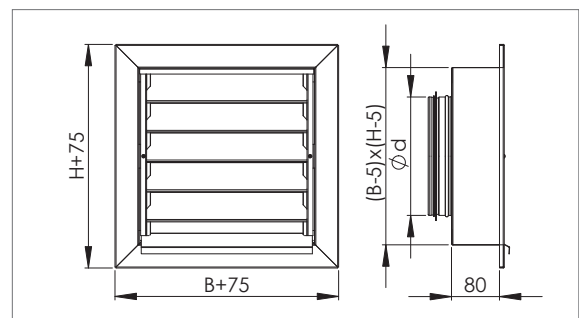
1. mounting frame
2. mesh
3. removable louvre

The louvre's corners are welded waterproof.

RV louvres are produced for openings with various sizes. Standard louvres are rectangular. Triangular grilles are available on special order.

Standard sizes manufactured every 50 mm for length and width. Minimum size 200x200 mm. Louvres larger than 1200x1500 mm are manufactured in modules.

Dimensions B and H are the nominal sizes of the louvre. The tolerances of B and H are +0/-5 mm.

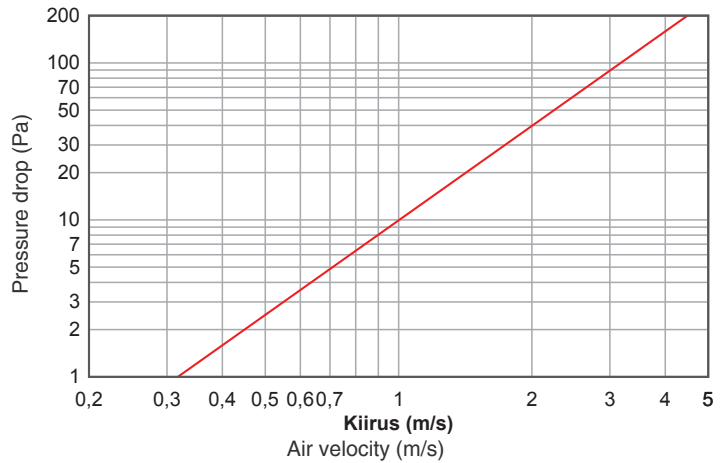


**Technical data**

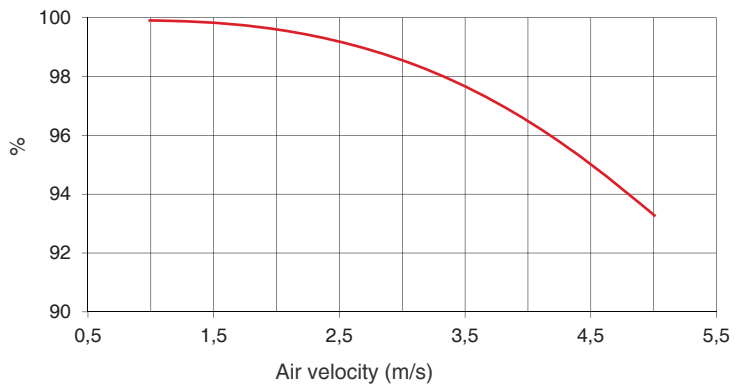
RV external louvre have been tested according to the Eurovent 2/5 standard. The test results prove that the louvre has an excellent resistance to water penetration and low pressure loss.

According to Eurovent, the maximum air flow velocity at the front surface of the louvre is 2,7 m/s, and water resistance is 98%.

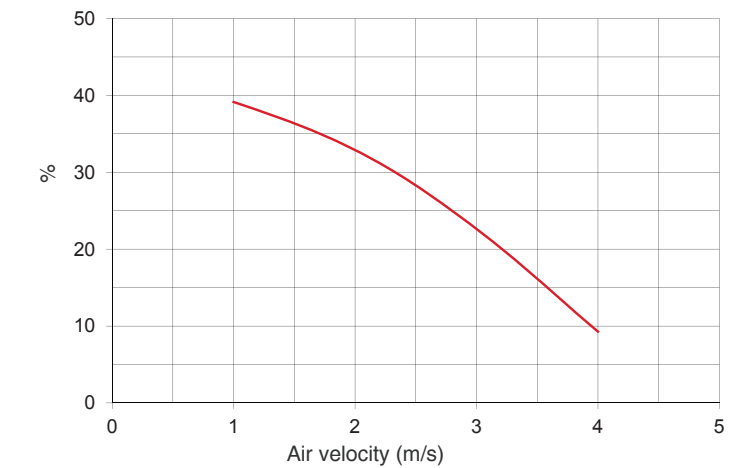
**Intake air pressure loss**



**Resistance to water penetration**



**Resistance to snow penetration**



## Product codes

RV	B x H	RAL7000
Marking	Width x Height	Color code

### Example: RVUK 1200x1000

Triangular grilles (dimensions with clarification):

1000 x 600 (triangle) – Equilateral triangle, width 1000 mm and height 600 mm

### Material codes:

Standard material galvanized steel (DX51D+Z275), standard EVS-EN 10346:2015, standard colour (RAL 7000, light grey)

ZM – zinc-magnesium coated steel (standard EVS-EN 10346:2015, DX51D+ZM310)

H – acid-proof steel (standards EVS-EN 10088-2:2014, EN 1.4436 or AISI 316)

Al – aluminium (standards EVS-EN 485-1:2016, 1050A [Al 99,5] or 5754 [AlMg3])

Zn – uncoated galvanized steel

Cu – copper

RAL colour: if other than standard colour