

## RVK / RVKS Non-return damper

RVK is a non-return damper protecting exhaust air openings and RVKS a non-return damper for installation into ductwork.

### Features:

- Prevents air backflow
- Protects ventilations systems from rainwater
- Easy to install
- RVKS can be installed into horizontal or vertical duct system

### Application

RVK is to be installed in wall openings. With no air flow, the louvre closes automatically because of gravity to prevent back-flow.

RVKS is a non-return damper for rectangular ducts and can be installed into the ventilation ductsystem horizontally or vertically. With a round duct connection can also be used in round duct systems. With air flow in the system, the louvre opens in the direction of the flow.

RVK



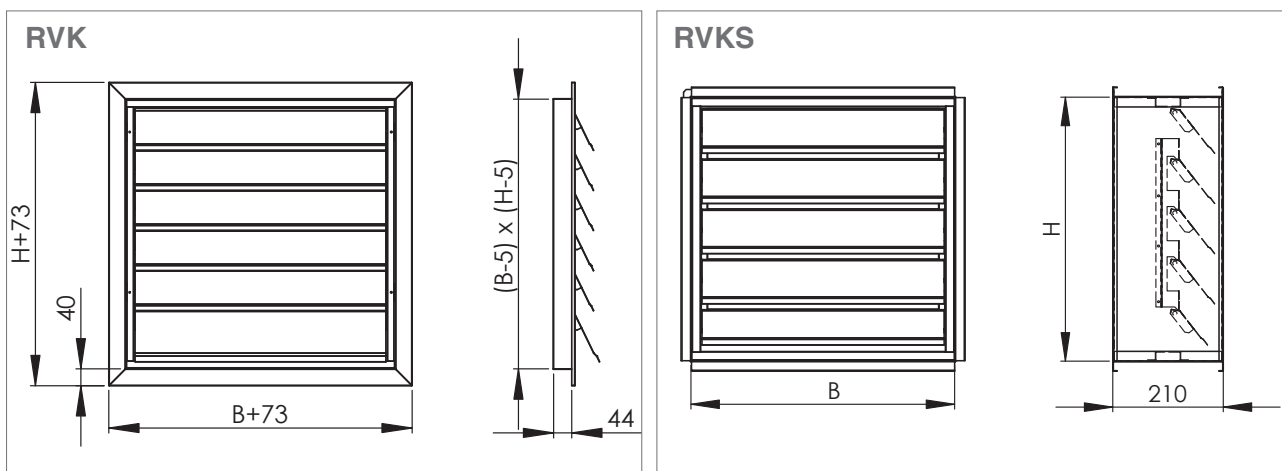
RVKS



7

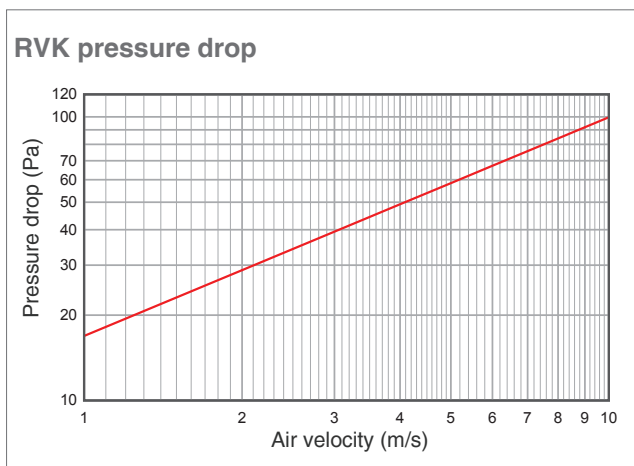
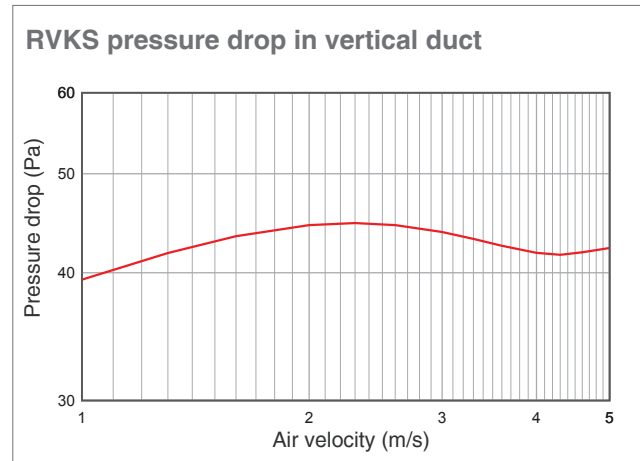
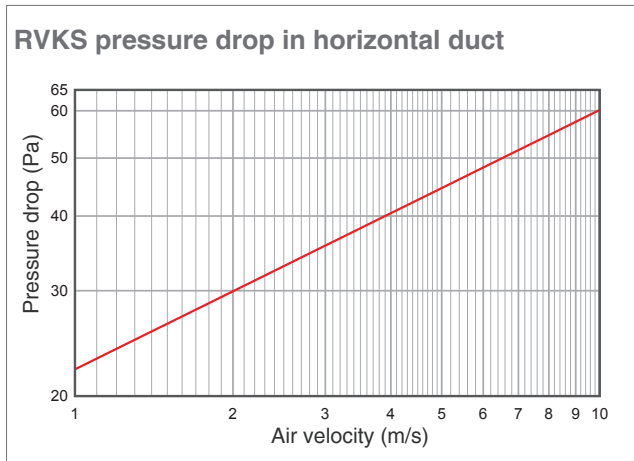
### Structure and dimensions

RVK and RVKS are constructed of two parts: a frame and a removable louvre. The frame is manufactured of galvanized steel and the louvre blades of aluminium. RVK is with powder coated finish (RAL 7000). RVK has waterproof welding on the corners of the frame. Standard sizes every 100 mm. Minimum size 200x200 mm and maximum 800x1200 mm. Larger louvres are manufactured in modules.



## Technical data

Recommended air velocity in ventilation duct is up to 5 m/s.



## Product codes

<b>RVK</b>	<b>B x H</b>	<b>RAL7000</b>
Marking	Width x Height	Color code

RVK - for wall installation

RVKS - for installation into ductwork

**Example: RVK 1200x1000**

## Material codes:

Standard frame material is galvanized steel (DX51D+Z275), standard color (RAL 7000, light grey).

ZM – zinc-magnesium coated steel (standard EVS-EN 10346:2015, DX51D+ZM310)

H – acid-proof steel (standards EVS-EN 10088-2:2014, EN 1.4436 or AISI 316)

Al – aluminium (standards EVS-EN 485-1:2016, 1050A [Al 99,5] or 5754 [AlMg3])

Zn – uncoated galvanized steel

RAL color: if other than standard color