

## NK Air intake with mesh for duct

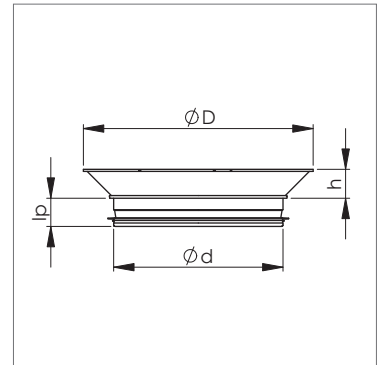
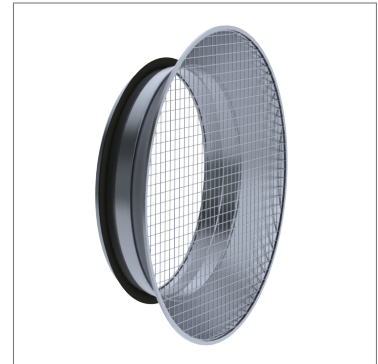
Air intake equipped with a mesh is used at the end of the air intake and extraction conduits.

Nominal size				Weight,
d	l <sub>p</sub> , mm	h, mm	D, mm	kg
100	29	60	190	0,32
125	29	60	215	0,45
160	29	60	250	0,6
200	29	60	290	0,75
250	50	60	340	0,9
315	50	60	405	1,3
400	50	75	512	1,6
500	65	75	612	2,2
630	65	90	765	3,3
800	110	90	935	4,9
1000	110	100	1165	7,3
1250	110	100	1415	10,0

### Product codes

NK	Ød
Marking	Diameter

Example: NK 315



## NKM Air intake with mesh for fitting

Air intake equipped with a mesh is used at the end of the air intake and extraction conduits.

Nominal size				Weight,
D	l, mm	h, mm	E, mm	kg
100	40	60	190	0,32
125	40	60	215	0,45
160	40	60	250	0,6
200	40	60	290	0,75
250	50	60	340	0,9
315	50	60	405	1,3
400	50	75	512	1,6
500	65	75	612	2,2
630	65	90	765	3,3
800	110	90	935	4,9
1000	110	100	1165	7,3
1250	110	100	1415	10,0

### Product codes

NKM	Ød
Marking	Diameter

Example: NKM 315

