

## NFC Reducer, concentric (pressed)

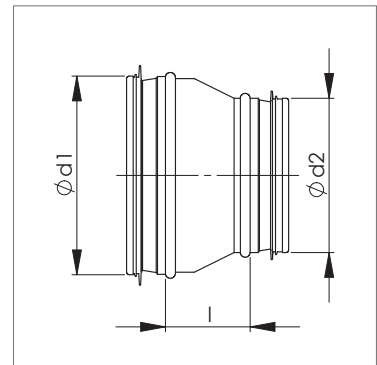
Concentric reducer is designed for connection of different sizes of ventilation ducts.

| Nominal size<br>d <sub>1</sub> -d <sub>2</sub> | l, mm | Weight,<br>kg |
|------------------------------------------------|-------|---------------|
| 125-100                                        | 30    | 0,17          |
| 160-100                                        | 58    | 0,30          |
| 160-125                                        | 33    | 0,25          |
| 200-100                                        | 68    | 0,39          |
| 200-125                                        | 56    | 0,40          |
| 200-160                                        | 37    | 0,35          |
| 250-125                                        | 81    | 0,56          |
| 250-160                                        | 55    | 0,57          |
| 250-200                                        | 43    | 0,55          |
| 315-160                                        | 96    | 0,93          |
| 315-200                                        | 76    | 0,78          |
| 315-250                                        | 51    | 0,74          |

### Product codes

|            |                        |                        |
|------------|------------------------|------------------------|
| <b>NFC</b> | <b>Ø d<sub>1</sub></b> | <b>Ø d<sub>2</sub></b> |
| Marking    | Diameter               | Diameter               |

**Example: NFC 315-200**



## NFCM Reducer, concentric (pressed)

Concentric reducer between different sizes of ducts and parts.

| Nominal size<br>D-d <sub>2</sub> | l, mm | Weight,<br>kg |
|----------------------------------|-------|---------------|
| 125-100                          | 19    | 0,16          |
| 160-100                          | 39    | 0,30          |
| 160-125                          | 25    | 0,21          |
| 200-100                          | 59    | 0,39          |
| 200-125                          | 48    | 0,40          |
| 200-160                          | 30    | 0,37          |
| 250-125                          | 72    | 0,56          |
| 250-160                          | 54    | 0,57          |
| 250-200                          | 34    | 0,55          |
| 315-250                          | 42    | 0,74          |

### Product codes

|             |            |                        |
|-------------|------------|------------------------|
| <b>NFCM</b> | <b>Ø d</b> | <b>Ø d<sub>1</sub></b> |
| Marking     | Diameter   | Diameter               |

**Example: NFCM 315-200**

